



Project Name:	
Location:	
Item:	Qty:
Model:	

BB280N, BB430N & BB580N

ILLUMINATED ICE MAKER STORAGE BINS



FEATURES

The BB280N, BB430N and BB580N Ice Maker Storage Bins are designed to pair perfectly with Berg's line of 22" and 30" modular ice makers. Each bin features LED lighting (powered by ice maker unit) when its access door is open. Gravity drain is required.

	BB280N	BB430N	BB580N
In: External Dimensions W x D x H	22 x 34 x 35.4	30 x 34 x 35.4	30 x 34 x 50
mm: External Dimensions W x D x H	560 x 864 x 900	763 x 864 x 900	763 x 864 x 1270
Ice Storage Capacity (lbs - Actual/AHRI)	310 / 246	470 / 376	580 / 464
Insulation	2" Polyurethane Foam	2" Polyurethane Foam	2" Polyurethane Foam
Shipping Weight	99.5 lb (45 kg)	117 lb (53 kg)	164 lb (75 kg)

Berg's continuing commitment to quality products may mean a change in specification or pricing without notice.



Specifications subject to change without notice.

Approvals: NSF 12



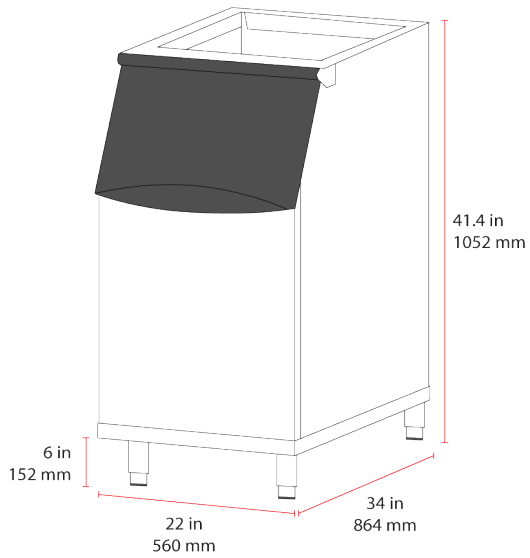
BB280N, BB430N & BB580N

ILLUMINATED ICE MAKER STORAGE BINS

DIMENSIONS

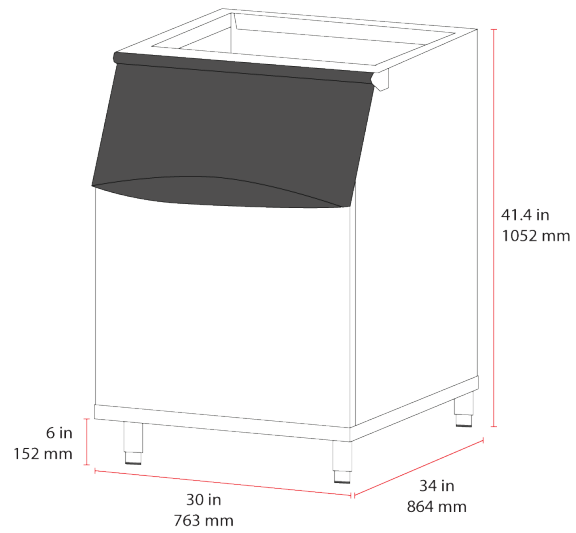
BB280N

Compatible with BC360N & BC360NH ice maker models



BB430N

Compatible with BC370N/NH, BC500N/NH, BC650N/NH models



BB580N

Compatible with BC370N/NH, BC500N/NH, BC650N/NH models

