



Project Name:	
Location:	
Item:	Qty:
Model:	

BIM-160, BIM-210, BIM-280

ICE MAKER - UNDERCOUNTERS



FEATURES

ICE PRODUCTION

Daily Ice Production: 160 lbs - 280 lbs per 24 hours
 Ambient Air Temperature: 70° - 90°F
 Energy Consumption: 451W - 726W

OPERATING REQUIREMENTS

Water Temperature Range: 40° - 90°F
 Water Line Connection: 3/8"
 Water Pressure: 18.75 psi to 80 psi;

FEATURES & CONSTRUCTION

- Air cooled condensor is energy efficient
- 304 Stainless steel construction with black accents
- Built-in illuminated storage bin with automatic overflow prevention
- Anticorrosive nickel-plated evaporator plate
- Digital control panel with easy to use controls
- Removable, easy-to-clean air filter
- Adjustable ice thickness
- Includes external water filter, drain hoses and ice scoop

WARRANTY

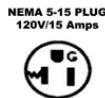
- One year parts and labor
- Five years on the compressor and evaporator plate



FEATURES

Air cooled undercounter ice machines are capable of producing plenty of fresh ice over 24 hours. The compact foot print design is great for tight spaces that fits the needs of busy restaurants, bars or cafes. These units includes a built-in bin to hold the ice. The easy-to-use controller can be used to monitor the current stage of ice production and also allows you to adjust the ice thickness and initiating the cleaning cycle. Constructed of durable 304 stainless steel with a polyethylene interior, these units are built to last in the busiest commercial environments. A nickel plated evaporator plate and removable air filter make for simple cleaning and maintenance. Includes 6" adjustable legs and external filter. These units require a 115V electrical connection for operation. ETL Listed and ETL Sanitation.

BIM-160, BIM-210, BIM-280



Specifications subject to change without notice.

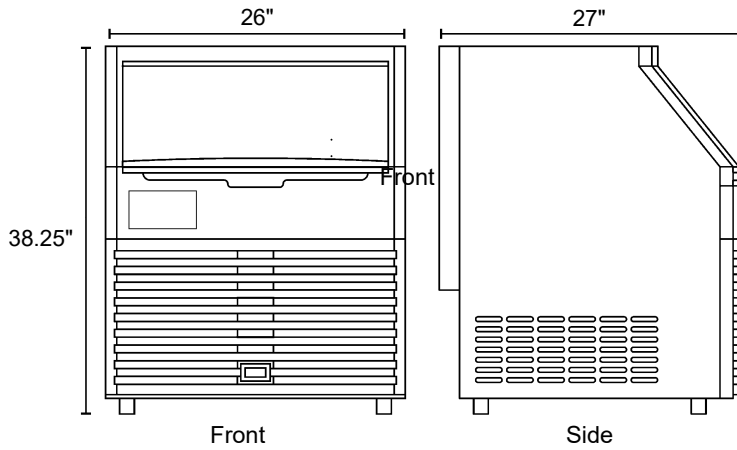
For warranty service on these products please call National Service America (NSA) at 1-877-672-7740



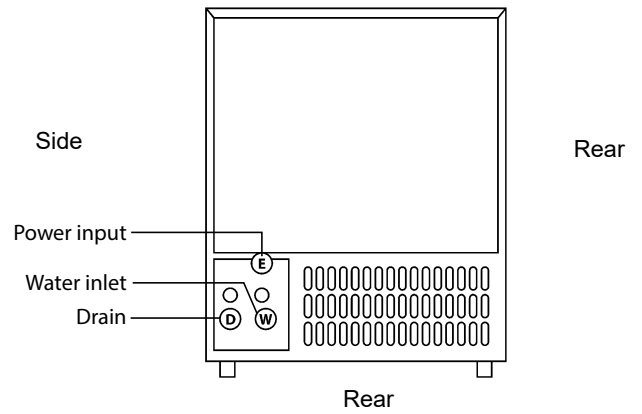
Project Name:	
Location:	
Item:	Qty:
Model:	

BIM-160, BIM-210, BIM-280

ICE MAKER - UNDERCOUNTERS



BIM-160, BIM-210, BIM-280



Water inlet and drain has a 3/8" connection



Full Dice - 7/8 x 7/8 x 7/8



Half Dice - 7/8 x 7/8 x 3/8

NEMA 5-15 PLUG
120V/15 Amps



MODEL #	BIM-160F	BIM-160H	BIM-210F	BIM-210H	BIM-280F	BIM-280H
Ice Shape	Full Dice	Half Dice	Full Dice	Half Dice	Full Dice	Half Dice
Output (lbs/24h)	160 lbs		210 lbs		280 lbs	
Bin Capacity (lbs)	80 lbs		80 lbs		80 lbs	
Rated Power Input	451W		526W		726W	
Voltage/Hertz	115/60		115/60		115/60	
Refrigerant	R290		R290		R290	
NEMA Plug	5-15P		5-15P		5-15P	
Condenser Unit	Air Cooled		Air Cooled		Air Cooled	
Net Weight (lbs)	121 lbs		128 lbs		132 lbs	
Gross Weight (lbs)	143 lbs		145 lbs		148 lbs	
Overall Dimensions (in.)	26"W x 27"D x 38.25"H		26"W x 27"D x 38.25"H		26"W x 27"D x 38.25"H	
Shipping Dimensions (in.)	30.75"W x 29.25"D x 35.5"H		30.75"W x 29.25"D x 35.5"H		30.75"W x 29.25"D x 35.5"H	