



Project Name:	
Location:	
Item:	Qty:
Model:	

BIN-230, BIN-275

ICE STORAGE BINS



FEATURES & CONSTRUCTION

- Available in 22" and 30" widths
- 304 Stainless steel construction with black bin door
- Durable and easy to clean blue polyethylene interior
- Adjustable 6" steel legs
- Drain hole at the bottom of the unit
- Includes plastic ice scoop

WARRANTY

- One year

FEATURES

Our ice storage bin is perfect for bars, restaurants, or any other food service establishment where cold beverages are served. Constructed with a 304 stainless steel exterior and blue polyethylene interior that is easy to clean. The convenient lift-up bin door provides easy access to the ice inside. The door stays open when fully lifted so both hands are available for quick scooping. Includes 6" adjustable legs and plastic ice scoop.

Bins are sized to fit all 22" and 30" modular ice makers. Shown here with the BERG model BIM-500H.



Intertek

Specifications subject to change without notice.

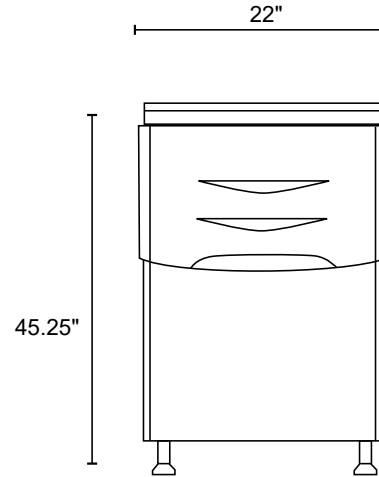
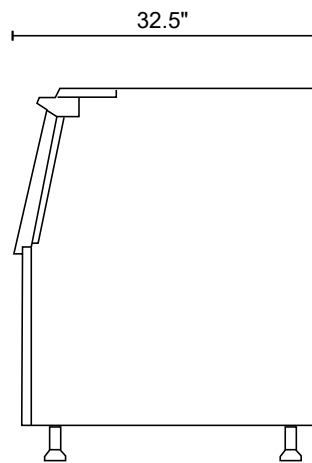
For warranty service on these products please call National Service America (NSA) at 1-877-672-7740



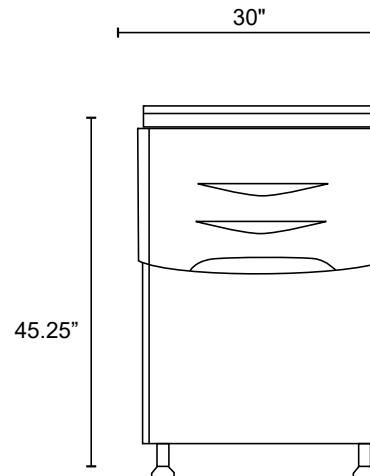
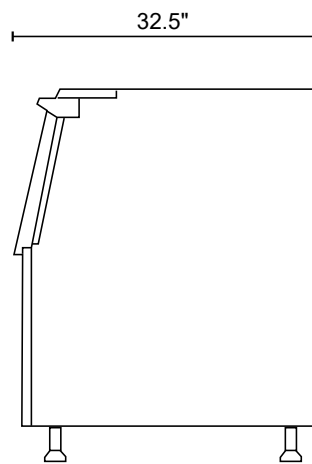
Project Name:	
Location:	
Item:	Qty:
Model:	

BIN-230, BIN-275

ICE STORAGE BINS



BIN-230



BIN-275

MODEL #	BIN-230	BIN-275
Ice Capacity	230 lbs	275 lbs
Exterior Material	304 Stainless Steel	304 Stainless Steel
Interior Material	Blue Polyethylene	Blue Polyethylene
Feet	6" Adjustable	6" Adjustable
Net Weight (lbs)	77 lbs	99 lbs
Gross Weight (lbs)	88 lbs	110 lbs
Overall Dimensions (in.)	22"W × 32.5"D × 42.25"H	30"W × 32.5"D × 42.25"H
Shipping Dimensions (in.)	25.5"W × 29.5"D × 41.5"H	33.5"W × 29.5"D × 41.5"H