



Project Name:	
Location:	
Item:	Qty:
Model:	

BDC6HC-2 / BDC8HC-3 / BDC10HC-4 / BDC13HC-5 / BDC15HC-6

MOBILE ICE CREAM FREEZERS

FEATURES

- Clear, curved glass sliding lids
- Easy grip sliding lid handle
- Lid lock and keys
- Interior LED lights makes it easier to see selection and enhance product's appearance
- Molded plastic lid frame heated to prevent frost or ice build-up
- Internal condensate evaporator pan. No need for a floor drain.
- Heavy-duty casters
- Removable rubber bumper guards, side grill
- 6' NEMA 5-15P Cord Set Included

TEMPERATURE

- Adjustable temperature range -18°F to +10°F (-28°C to -12°C)
- Thermometer display: external, analog, easily read

CONSTRUCTION

- Exterior Material: durable, white zinc coated, baked on enamel steel
- Interior Material: painted white powder coated steel
- Flat wire baskets with 3 compartments
- Insulation: Thick, 2.5" foamed in-place, environmentally friendly, polyurethane
- Reliable, easily maintained cold wall system is incorporated



This line of Glass Display Freezer Merchandisers offer a spacious interior that allow you to store ice cream and frozen novelties in an elegant presentation with size options to meet your specific application requirements. Each unit has thick wall insulation and a white powder coated finish for easy cleaning.

Berg's continuing commitment to quality products may mean a change in specification or pricing without notice.



Specifications subject to change without notice.

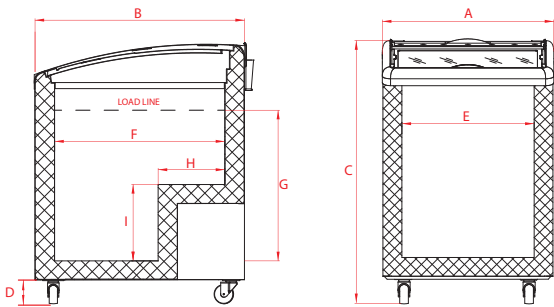
Approvals: ANSI-UL 471 and ANSI-NSF-7 Approved. DOE 2018 Compliant, SNAP 2020 Compliant



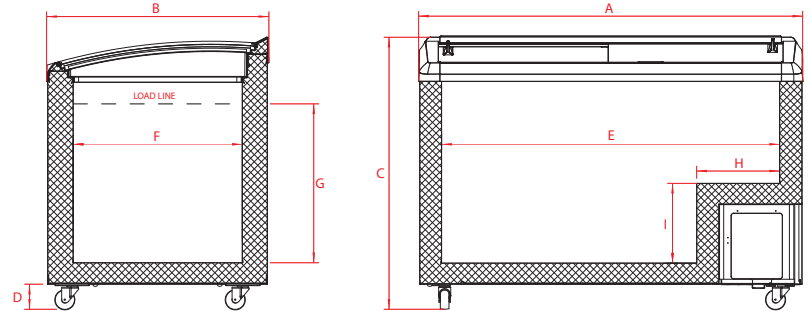
BDC6HC-2 / BDC8HC-3 / BDC10HC-4 / BDC13HC-5 / BDC15HC-6

MOBILE ICE CREAM FREEZERS

BDC6HC-2



BDC8HC-3 / BDC10HC-4 / BDC13HC-5 / BDC15HC-6



MODEL	EXTERNAL DIMENSIONS					INTERNAL DIMENSIONS				
	A	B	C	D	E	F	G	H	I	
BDC6HC-2	24.6 in 625mm	27.6 in 700 mm	32.6 in 828 mm	3 in 76.2 mm	18.5 in 470 mm	21.7 in 550 mm	18.9 in 480mm	8.7 in 220 mm	9.7 in 245 mm	
BDC8HC-3	31.5 in 800 mm	27.5 in 697 mm	33.5 in 850 mm	3 in 76.2 mm	25.8 in 656 mm	20.9 in 530 mm	19.6 in 498 mm	10.2 in 260 mm	9.8 in 250 mm	
BDC10HC-4	39.4 in 1000 mm	27.5 in 697 mm	33.5 in 850 mm	3 in 76.2 mm	33.7 in 856 mm	20.9 in 530 mm	19.6 in 498 mm	10.2 in 260 mm	9.8 in 250 mm	
BDC13HC-5	47.4 in 1204 mm	27.5 in 697 mm	33.5 in 850 mm	3 in 76.2 mm	41.7 in 1060 mm	20.9 in 530 mm	19.6 in 498 mm	10.2 in 260 mm	9.8 in 250 mm	
BDC15HC-6	53.2 in 1350 mm	27.5 in 697 mm	33.5 in 850 mm	3 in 76.2 mm	47.5 in 1060 mm	20.9 in 530 mm	19.6 in 498 mm	10.2 in 260 mm	9.8 in 250 mm	

MODEL	ELECTRICAL POWER	GROSS VOLUME CuFt(L)	NET VOLUME CuFt (L)	REFRIGERANT	NET WEIGHT Lbs (kg)	SHIPPING WEIGHT Lbs (kg)	HORSEPOWER HP (W)	BASKETS	NEMA PLUG	SHIPPING DIMENSIONS	CBM
BDC6HC-2	115V/60Hz	5.76 (163)	3.81 (108)	R600a	103.6 (47)	119 (54)	1/9 (89)	2	5-15P	26.2 x 29.5 x 35.2 in 665 x 749 x 894 mm	0.45
BDC8HC-3	115V/60Hz	8.16 (231)	4.87 (138)	R290a	114.6 (52)	145.5 (66)	1/7 (118)	3	5-15P	34.6 x 30.3 x 35.2 in 878 x 770 x 894 mm	0.61
BDC10HC-4	115V/60Hz	9.92 (281)	6.71 (190)	R290a	130.1 (59)	152.1 (69)	1/5 (150)	4	5-15P	42.5 x 30.3 x 35.2 in 1080 x 770 x 894 mm	0.74
BDC13HC-5	115V/60Hz	12.75 (361)	8.62 (244)	R290a	152.1 (69)	174.2 (79)	1/4 (186)	5	5-15P	50.6 x 30.3 x 35.2 in 1285 x 770 x 894 mm	0.89
BDC15HC-6	115V/60Hz	15.22 (431)	10.06 (285)	R290a	165.4 (75)	189.6 (86)	1/4 (186)	6	5-15P	56.3 x 30.3 x 35.2 in 1430 x 770 x 894 mm	0.99