



## Glass Door Merchandiser Freezers

BERG Glass Door Merchandiser Freezers are a great way to display frozen drinks, packaged food and any other grab n' go items that are sold in your establishment. These units are perfect for convenience stores, delis, markets and so much more. With their anti-fogging glass and illuminated interior, the products inside will always be highly visible to your shoppers. These units come standard with plastic coated steel shelves that are easily adjustable and a front mounted LED temperature display. These models are ETL Listed and ETL Sanitation. They are backed with a 1 year warranty on parts and labor and a 5 year warranty on the compressor.



### Product Features

- Coated steel exterior
- Painted aluminum interior with stainless steel floor
- Environmentally-friendly R290 refrigerant
- Foamed-in-place polyurethane high density cell insulation throughout the entire cabinet
- Illuminated bright interior lights for greater visibility
- Front-mounted LED temperature display
- Automatic defrosting
- Removable door gasket for easy cleaning



## Specifications

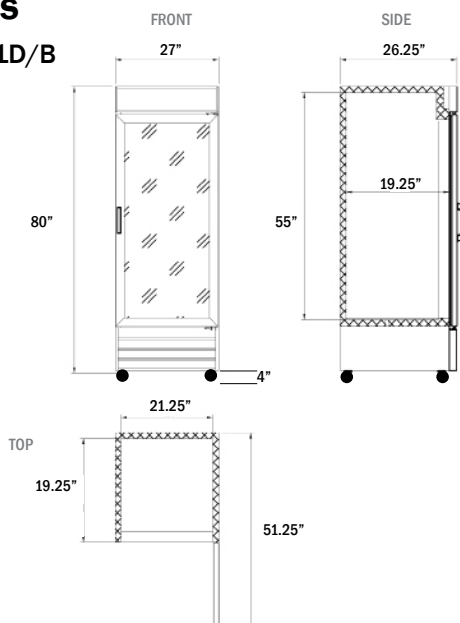


Model Number	BFZS-1D/B	BFZS-1D/32	BFZS-2D/54
Doors	1	1	2
Shelves	4	4	8
Net Volume Cu. Ft.	14 Cu. Ft.	24.7 Cu. Ft.	42.7 Cu. Ft.
Overall Dimensions (in)	27" x 26.25 x 84"	31" x 33.25" x 84"	53" x 31.75" x 84"
Interior Dimensions (in)	21.25" x 19.25" x 55"	25.25" x 28.25" x 62"	50" x 28.25" x 62"
Refrigerant	R290	R290	R290
Horsepower	3/4	3/4	1
Temperature Range	-7°F - 0°F	-7°F - 0°F	-7°F - 0°F
Voltage/Hertz/Amps	115/60/1	115/60/1	115/60/1
Amps	8.8	9.4	10.5
Net Weight (lbs)	304 lbs	320 lbs	437 lbs
Gross Weight (lbs)	348 lbs	352 lbs	480 lbs
Shipping Dimensions (in)	30.25" x 30.75" x 87"	33" x 35" x 87"	54.25" x 33" x 87"

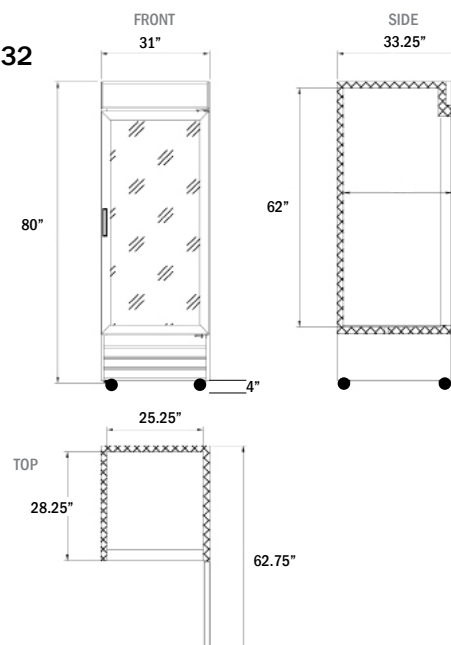
# Glass Door Merchandiser Freezers

## Plan Views

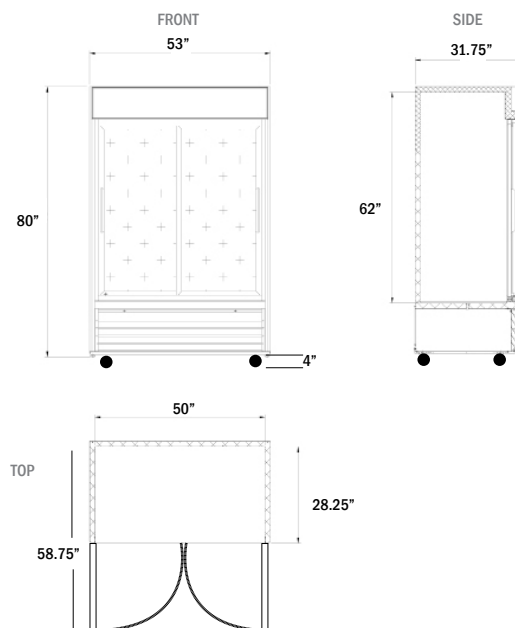
**BFZS-1D/B**



**BFZS-1D/32**



**BFZS-2D/54**



## Standard Features

### Refrigeration System

- Freezer units use environmentally friendly R290 refrigerant
- Bottom mounted cooling unit slides out for easy cleaning and maintenance and allows for storage area on top of the unit
- Maintains a temperature range of  $-7^{\circ}\text{F} - 0^{\circ}\text{F}$
- Rugged built axial evaporator fans run efficiently with low velocity and high volume air flow

### Electrical Control

- Front LED temperature display for easy viewing of internal temperature
- Temperature controller initiates automatic defrost schedule for worry free use
- 7 foot power cord with NEMA 5-15 plug

### Cabinet Construction

- Coated steel exterior for a sleek appearance
- Painted aluminum interior allows for easy cleaning
- The cabinet is insulated throughout with a foamed-in-place high density cell polyurethane insulation

### Door(s)

- Large glass doors that provide high visibility with anti-fogging.
- Removable door gasket for easy cleaning

### Shelving

- Adjustable plastic coated steel shelves that have a load capacity of up to 90 lbs per shelf

### Model Features

- Interior lighting provides greater visibility for merchandising
- Colorful, lighted graphics on top of the unit helps to draw in customers

### Warranty

- One year parts and labor
- Five years on the compressor
- For warranty service on these products please call National Service America (NSA) at 1-877-672-7740

