



Refrigerated Glass Door Merchandisers



BERG Glass Door Merchandiser Refrigerators are a great way to display cold drinks, packaged food and any other grab n' go items that are sold in your establishment. These units are perfect for convenience stores, delis, markets and so much more. With their anti-fogging glass and illuminated interior, the products inside will always be highly visible to your shoppers. These units come standard with plastic coated steel shelves that are easily adjustable and a front mounted LED temperature display. These models are ETL Listed and ETL Sanitation. They are backed with a 2 year warranty on parts and labor and a 5 year warranty on the compressor.

Product Features

- Coated steel exterior
- Painted aluminum interior with stainless steel floor
- Environmentally-friendly R290 refrigerant
- Foamed-in-place polyurethane high density cell insulation throughout the entire cabinet
- Illuminated bright interior lights for greater visibility
- Front mounted LED temperature display
- Removable door gasket for easy cleaning

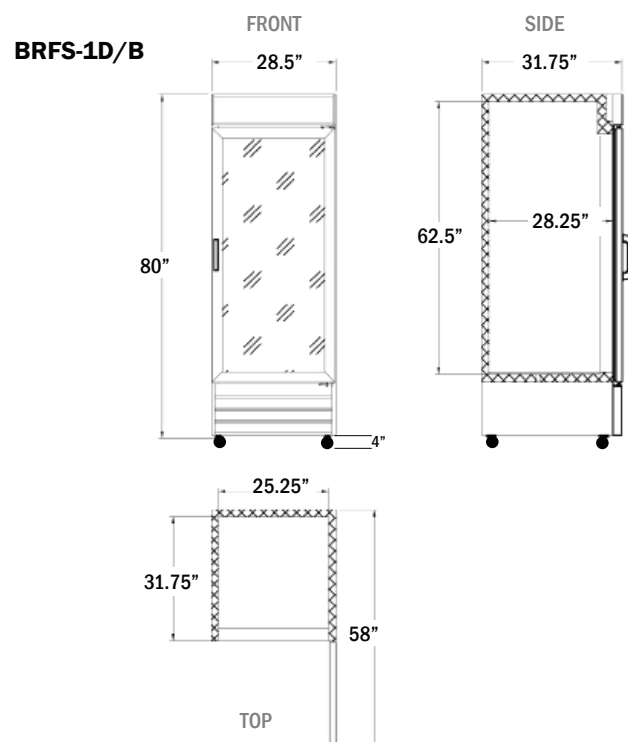
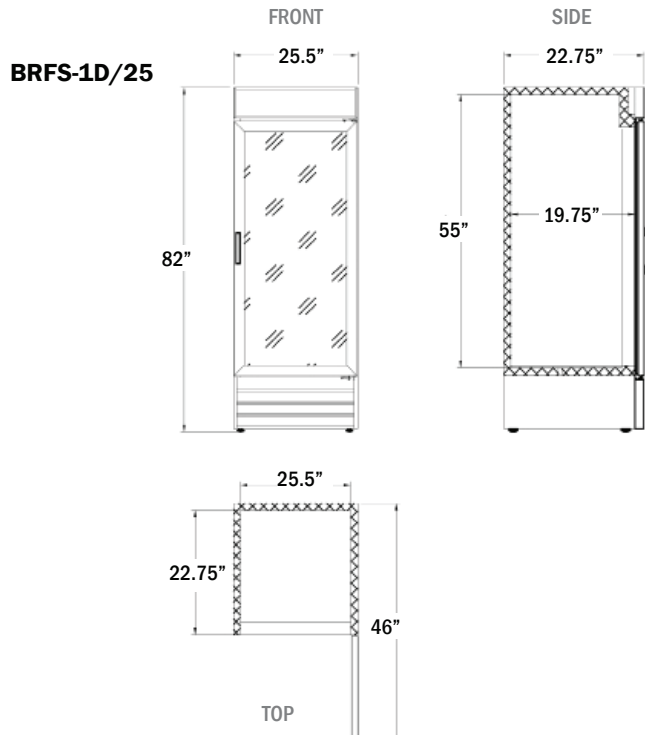


Specifications

Model Number	BRFS-1D/25	BRFS-1D/B
Color	Black	Black
Doors	1	1
Net Volume Cu. Ft.	14.2 Cu. Ft	24.7 Cu. Ft
Shelves	4	4
Overall Dimensions WxDxH (in)	25.5" x 22.75" x 82"	28.5" x 31.75" x 84"
Interior Dimensions WxDxH (in)	22.5" x 19.75" x 55"	25.25" x 28.25" x 62.5"
Refrigerant	R290	R290
Horsepower	1/5	1/5
Temperature Range	33° - 40°F	33° - 40°F
Voltage/Hertz/Amps	115/60/1	115/60/1
Amps	2.8	3
Net Weight (lbs)	265 lbs	320 lbs
Gross Weight (lbs)	297 lbs	352 lbs
Shipping Dimensions WxDxH (in)	27.5" x 24.75" x 85"	30" x 35.5" x 87"

Refrigerated Glass Door Merchandisers

Plan Views



Standard Features

Refrigeration System

- Refrigeration units use environmentally friendly R290 refrigerant
- Bottom mounted cooling unit slides out for easy cleaning and maintenance and allows for storage area on top of the unit
- Maintains a temperature range of 33° –40° F
- Rugged built axial evaporator fans run efficiently with low velocity and high volume air flow

Electrical Control

- Front LED temperature display for easy viewing of internal temperature
- Temperature controller initiates automatic defrost schedule for worry free use
- 7 foot power cord with NEMA 5-15 plug



Cabinet Construction

- Black coated steel exterior for a sleek appearance
- Painted aluminum liner interior allows for easy cleaning
- The cabinet is insulated throughout with a foamed-in-place high density cell polyurethane insulation

Door(s)

- Large glass doors that provide high visibility with anti-fogging
- Removable door gasket for easy cleaning

Shelving

- Adjustable plastic coated steel shelves that have a load capacity of up to 90 lbs per shelf

Model Features

- Interior lighting provides greater visibility for merchandising
- Colorful, lighted graphics on top of the unit helps to draw in customers

Warranty

- Two year parts and labor
- Five years on the compressor
- For warranty service on these products please call National Service America (NSA) at 1-877-672-7740