

BERG's Deluxe Ice Cream Dipping Cabinets are perfect for ice cream shops, candy stores, dessert bars, and cafeterias. The white design showcase is illuminated with LED lighting, displaying colorful flavors and samples. The glass canopy promotes product visibility, while preventing contamination. The frozen storage space beneath the display is for holding tubs of back-up flavors. These models are ETL Listed and ETL Sanitation. They are backed with a 1 year warranty on parts and labor and a 3 year warranty on the compressor.



Product Features

- Attractive glass canopy showcases and protects products
- Frozen space beneath display stores back-up tubs
- Environmentally-friendly R290 refrigerant
- Temperature range -15 to -8 degrees Fahrenheit
- LED lighting included
- Front and rear breathing ventilation so unit can be placed beside a wall or other equipment
- Convenient unit for businesses with limited space
- 1 year warranty on parts and labor
- 3 year warranty on the compressor

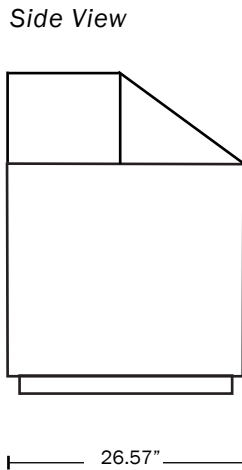
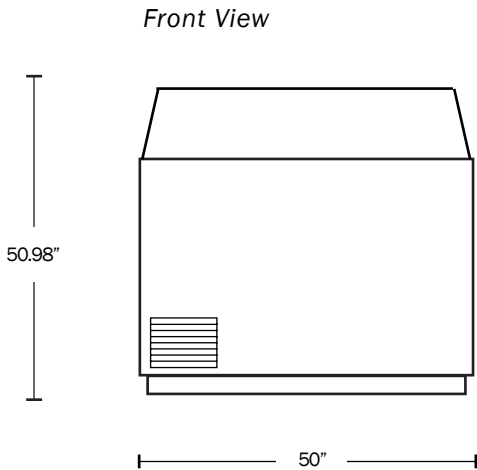
Specifications



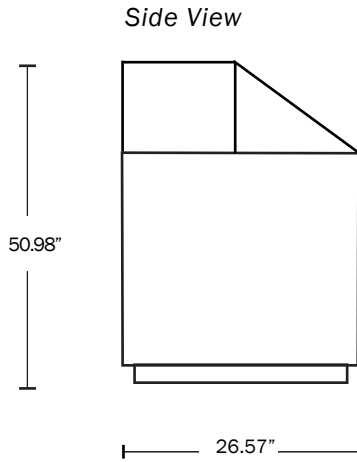
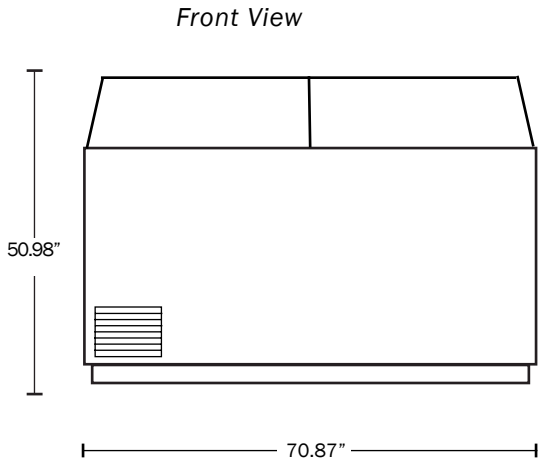
Model Number	SD451	SD651
Lids	2	2
Racks	4	6
Display Capacity (3 gal. cans)	8	12
Storage Capacity (3 gal. cans)	4	8
Refrigerant	R290	R290
Voltage/Hertz/Phase	115/60/1	115/60/1
Amps	2.3	2.9
Overall Dimensions (in)	50"W x 26.57"D x 50.98"H	70.87"W x 26.57"D x 50.98"H
Gross Weight (lbs)	200.6lbs	263.5lbs

Plan Views

SD451



SD651



Features

Cooling System

- Refrigeration units use environmentally friendly R290 refrigerant
- Maintain a temperature range of -15 °F to -8 °F

Electrical Control

- 115V/60 connection
- 8.3' power cord with JT-3 plug from the back of the unit

Cabinet Construction

- With a steel structure, this unit is built for durability
- Glass hinged canopy prevents product contamination and ensures crystal-clear visibility

Lighting

- LED lighting allows you to showcase the decadent flavors behind the glass

Shelving

- The canopy is ideal for placing spoons, cups or other supplies

Model Features

- Convenient size for businesses with limited space
- Utilizes a 115V electrical connection