



Project Name:	
Location:	
Item:	Qty:
Model:	

SD151S/SD251S/SD351S/SD451S/SD551S/SD651S

## MOBILE DISPLAY FREEZERS



### FEATURES

- Clear, curved glass sliding lids
- Easy grip sliding lid handle
- Lid lock and keys
- Interior LED lights makes it easier to see selection and enhance product's appearance
- Molded plastic lid frame heated to prevent frost or ice build-up
- Internal condensate evaporator pan. No need for a floor drain.
- Heavy-duty casters
- Removable rubber bumper guards, side grill
- 6' NEMA 5-15P Cord Set Included

### TEMPERATURE

- Adjustable temperature range -18°F to +10°F (-28°C to -12°C)
- Thermometer display: external, analog, easily read

### CONSTRUCTION

- Exterior Material: durable, white zinc coated, baked on enamel steel
- Interior Material: painted white powder coated steel
- Flat wire baskets with 3 compartments
- Insulation: Thick, 2.5" foamed in-place, environmentally friendly, polyurethane
- Reliable, easily maintained cold wall system is incorporated

This line of Glass Display Freezer Merchandisers offer a spacious interior that allow you to store ice cream and frozen novelties in an elegant presentation with size options to meet your specific application requirements. Each unit has thick wall insulation and a white powder coated finish for easy cleaning.

Berg's continuing commitment to quality products may mean a change in specification or pricing without notice.



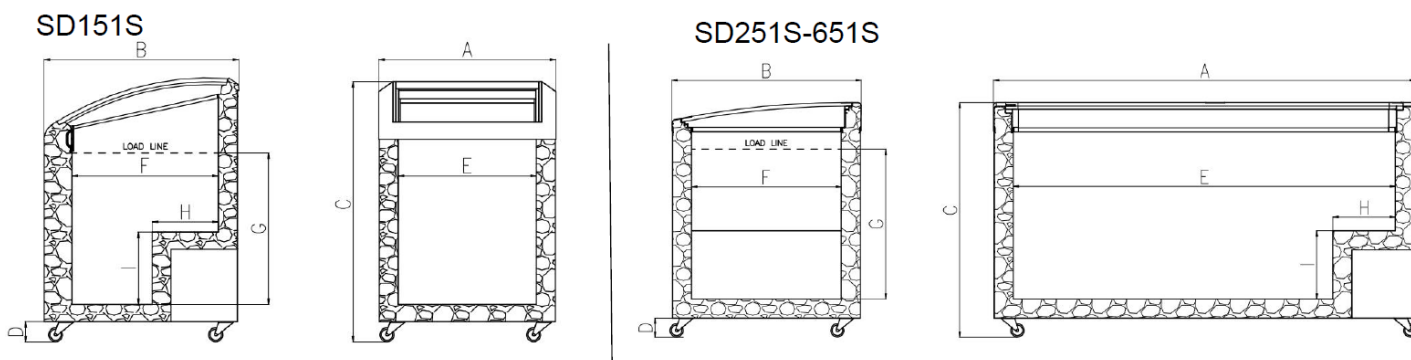
Specifications subject to change without notice.

Approvals: ANSI-UL 471 and ANSI-NSF-7 Approved. DOE 2018 Compliant, SNAP 2020 Compliant



SD151S/SD251S/SD351S/SD451S/SD551S/SD651S

MOBILE DISPLAY FREEZERS



MODEL	ELECTRICAL POWER	GROSS VOLUME CF(L)	NET VOLUME CF(L)	REFRIGERANT	NET WEIGHT Lbs(KG)	SHIPPING WEIGHT Lbs(KG)	HORSE POWER HP(W)	BASKETS	NEMA PLUG	SHIPPING DIMENSIONS	CBM
SD151S	115V/60HZ	131(4.63)	102(3.60)	R290	77(35)	86(39)	1/8	2	5-15P	655x705x890mm 25.79x27.76x35.04in	0.41
SD251S	115V/60HZ	197(6.96)	170(6.00)	R290	99(45)	110(50)	1/8	3	5-15P	845x765x890mm 33.27x30.12x35.04in	0.58
SD351S	115V/60HZ	280(9.89)	240(8.48)	R290	112(51)	125(57)	1/6	4	5-15P	1080x765x890mm 42.52x30.12x35.04in	0.74
SD451S	115V/60HZ	359(12.69)	309(10.92)	R290	125(57)	134(61)	1/6	5	5-15P	1320x765x890mm 51.97x30.12x35.04in	0.90
SD551S	115V/60HZ	453(16.00)	395(13.96)	R290	147(67)	163(74)	1/6	6	5-15P	1580x765x890mm 62.20x30.12x35.04in	1.08
SD651S	115V/60HZ	546(19.29)	480(16.96)	R290	167(76)	183(83)	1/6	7	5-15P	1850x765x890mm 72.83x30.12x35.04in	1.26

MODEL	External Dimensions				Internal Dimensions				
	A	B	C	D	E	F	G	H	I
SD151S	24.2in 615mm	26.38in 670mm	33.07in 840mm	2.76in 70mm	18.5in 470mm	19.96in 507mm	20.59in 523mm	9.06in 230mm	9.84in 250mm
SD251S	31.69in 805mm	27.17in 690mm	31.1in 790mm	2.76in 70mm	25.98in 660mm	21.65in 550mm	21.61in 549mm	9.06in 230mm	9.84in 250mm
SD351S	41.14in 1045mm	27.17in 690mm	31.1in 790mm	2.76in 70mm	35.43in 900mm	21.65in 550mm	21.61in 549mm	9.06in 230mm	9.84in 250mm
SD451S	50.2in 1275mm	27.17in 690mm	31.1in 790mm	2.76in 70mm	44.49in 1130mm	21.65in 550mm	21.61in 549mm	9.06in 230mm	9.84in 250mm
SD551S	60.83in 1545mm	27.17in 690mm	31.1in 790mm	2.76in 70mm	55.12in 1400mm	21.65in 550mm	21.61in 549mm	9.06in 230mm	9.84in 250mm
SD651S	71.46in 1815mm	27.17in 690mm	31.1in 790mm	2.76in 70mm	65.75in 1670mm	21.65in 550mm	21.61in 549mm	9.06in 230mm	9.84in 250mm