



Project Name:	
Location:	
Item:	Qty:
Model:	

BIM-120

ICE MAKER - UNDERCOUNTER



FEATURES

ICE PRODUCTION

Daily Ice Production: 120 lbs per 24 hours
 Ambient Air Temperature: 70° - 90°F
 Energy Consumption: 446W

OPERATING REQUIREMENTS

Water Temperature Range: 40° - 90°F
 Water Line Connection: 3/8"
 Water Pressure: 18.75 psi to 80 psi;

FEATURES & CONSTRUCTION

- Air cooled condensor is energy efficient
- 304 Stainless steel construction with black accents
- Built-in illuminated storage bin with automatic overflow prevention
- Anticorrosive nickel-plated evaporator plate
- Digital control panel with easy to use controls
- Removable, easy-to-clean air filter
- Adjustable ice thickness
- Includes external water filter, drain hoses and ice scoop

WARRANTY

- One year parts and labor
- Five years on the compressor and evaporator plate



FEATURES

Our 19.5" air cooled undercounter ice machine is capable of producing up to 120 lbs. of ice cubes per 24 hours. The narrow foot print design is great for tight spaces that fits the needs of busy restaurants, bars or cafes. This unit includes a 40 lb. built-in bin to hold the ice. The easy-to-use controller can be used to monitor the current stage of ice production and also allows you to adjust the ice thickness and initiating the cleaning cycle. Constructed of durable 304 stainless steel with a polyethylene interior, this unit is built to last in the busiest commercial environments. A nickel plated evaporator plate and removable air filter make for simple cleaning and maintenance. Includes 6" adjustable legs and external filter. This unit requires a 115V electrical connection for operation. ETL Listed and ETL Sanitation.

BIM-120



NEMA 5-15 PLUG
120V/15 Amps



Specifications subject to change without notice.

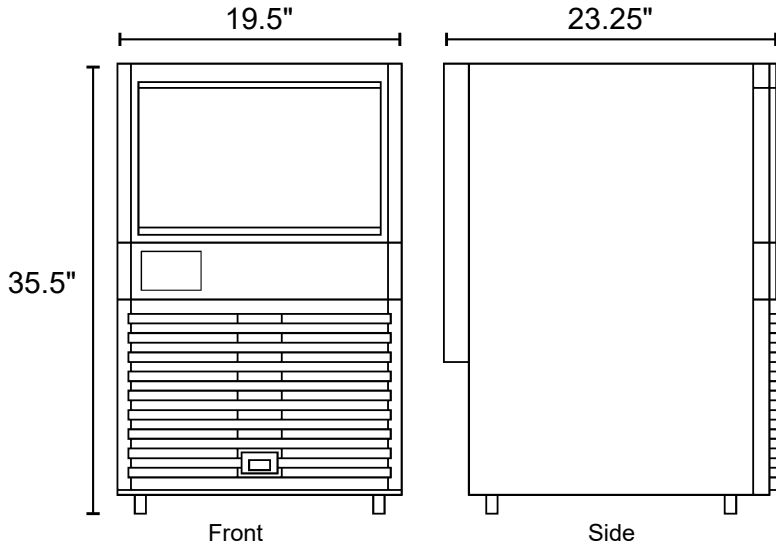
For warranty service on these products please call 1-888-585-9440



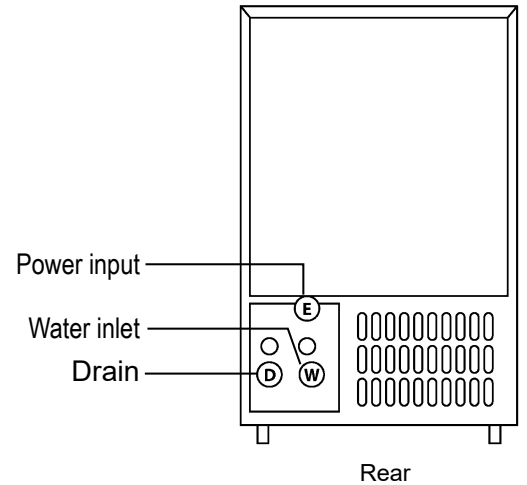
Project Name:	
Location:	
Item:	Qty:
Model:	

BIM-120

ICE MAKER - UNDERCOUNTER



BIM-120



Water inlet and drain has a 3/8" connection



Full Dice - 7/8 x 7/8 x 7/8



Half Dice - 7/8 x 7/8 x 3/8

NEMA 5-15 PLUG
120V/15 Amps



MODEL #	BIM-120H	BIM-120F
Ice Shape	Half Dice	Full Dice
Output (lbs/24h)	120 lbs	120 lbs
Bin Capacity (lbs)	40 lbs	40 lbs
Rated Power Input	446W	446W
Voltage/Hertz	115/60	115/60
Refrigerant	R290	R290
NEMA Plug	5-15P	5-15P
Condenser Unit	Air Cooled	Air Cooled
Net Weight (lbs)	99 lbs	99 lbs
Gross Weight (lbs)	110 lbs	110 lbs
Overall Dimensions (in.)	19.5"W x 23.25"D x 35.5"H	19.5"W x 23.25"D x 35.5"H
Shipping Dimensions (in.)	22.75"W x 26.25"D x 33"H	22.75"W x 26.25"D x 33"H